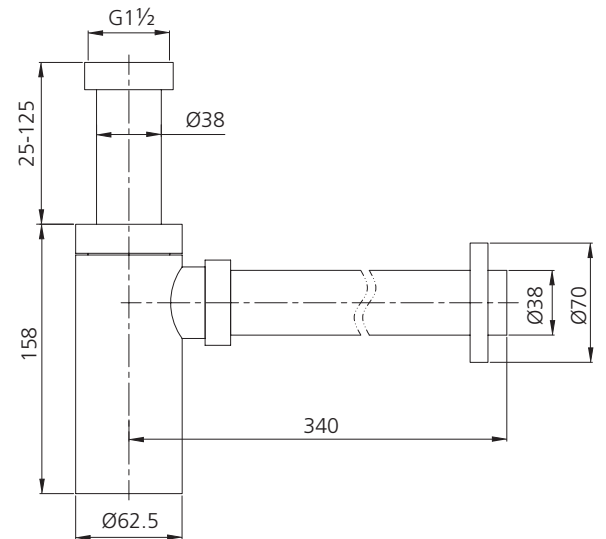
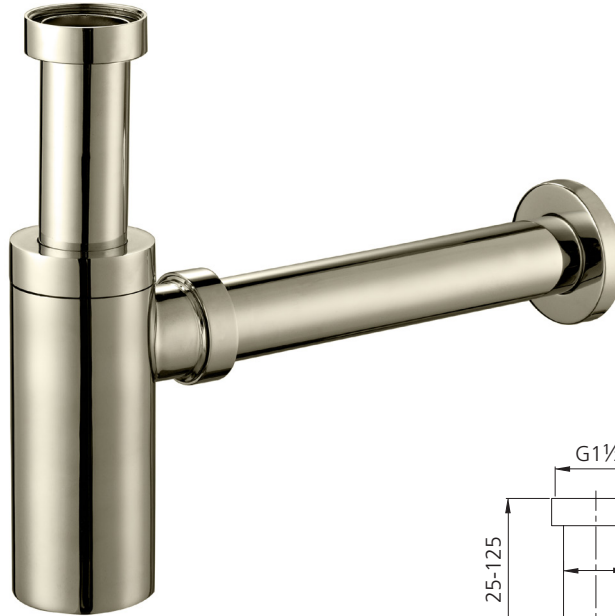


# Wastes & Traps

**ACC186-W-BN**

Brushed Nickel Bottle Trap

All dimensions in mm



## Specifications /

<b>Materials</b>	Solid brass body
<b>Finish</b>	Brushed Nickel (electroplated)
<b>Parts list</b>	Body, locking nut, outlet pipe, wall flange, gaskets
<b>Warranty</b>	1 year parts and labour (see Oliveri website for full details)
<b>Maintenance and care instructions</b>	All surfaces should be cleaned with mild liquid detergent or soap and water. Do not use cream cleaners or citrus based cleaning products, as they are abrasive. Use of unsuitable cleaning agents may damage the surface. Any damage caused in this way will not be covered by warranty.