

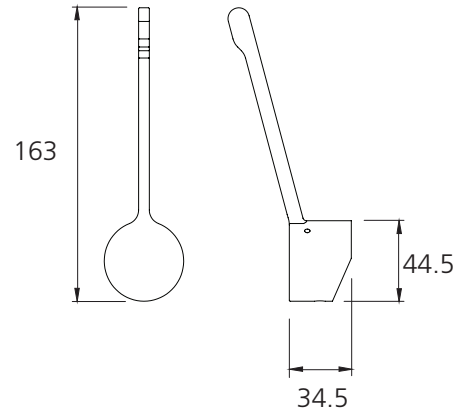
# Essente

ACCH001

Essente Stainless Steel Care Handle For Goose Neck Mixer

PREMIUM  
304 GRADE  
STAINLESS  
STEEL

All dimensions in mm



**Compatible tapware models:**

- SS2520 Essente Stainless Steel Goose Neck Mixer
- SS2525 Essente Stainless Steel Goose Neck Pull Out Mixer
- SS2570 Essente Stainless Steel Square Goose Neck Mixer
- SS2575 Essente Stainless Steel Square Goose Neck Pull Out Mixer

**Specifications /**

<b>Style</b>	Extended lever length handle
<b>Compatible tapware</b>	Oliveri Essente goose neck mixers
<b>Finish</b>	Natural (stainless steel)
<b>Materials</b>	304 Grade stainless steel
<b>Product weight</b>	0.14kg
<b>Warranty</b>	7 years part, 1 year labour (refer to <a href="http://oliveri.com.au">oliveri.com.au</a> ).
<b>Maintenance and care instructions</b>	All surfaces should be cleaned with mild liquid detergent or soap and water. Do not use cream cleaners or citrus based cleaning products, as they are abrasive. Use of unsuitable cleaning agents may damage the surface. Any damage caused in this way will not be covered by warranty.