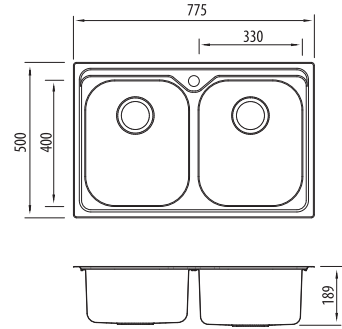


Diaz

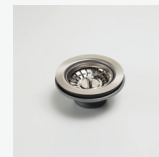
DZ23TU NZ 1TH OF Double Bowl Universal Sink



Specifications /

Sink size	775W x 500H mm
Bowl size	Main Bowl 330W x 400H x 180D / 21L Main Bowl 330W x 400H x 180D / 21L
Construction	2 piece, bowls and rim seam welded
Material	304 grade, 18/10 polished stainless steel (0.8 mm thick)
Installation	Topmount or undermount
Fixings	Topmount seal and clips supplied
Min cabinet size	800 mm
Tap holes	1 tap hole only
Waste fittings	2 x 90 mm basket wastes included
Overflow	Included
Carton size	830 x 540 x 240 mm
Weight	9 kg
Warranty	Lifetime manufacturer's warranty (refer to oliveri.co.nz)
Maintenance and care instructions	All surfaces should be cleaned with mild liquid detergent or soap and water. To maintain the shine on your Oliveri stainless steel sink, we recommended the use of any of the easy to obtain, non-abrasive stainless steel cleaners or metal polishes.

Included accessories /



AC05
Basket Waste Kit for
Overflow



AC09
Basket Waste



AC15
Bamboo Board



AC1820
Colander



AC3320
Utility Tray



Overflow
Round with Cover