

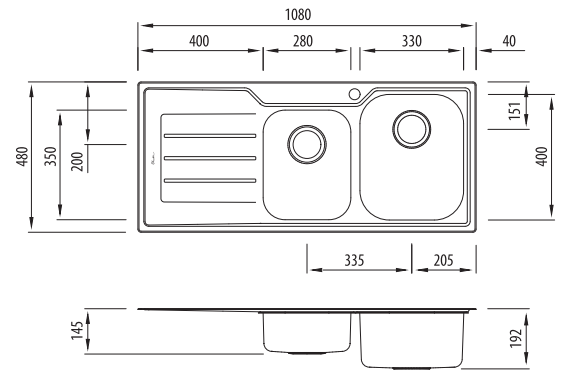
Flinders

FL112 NZ 1TH OF

1 & 3/4 Bowl Topmount Sink With Drainer



All dimensions in mm



Specifications /

| | |
|--|--|
| Sink size | 1080W x 480H mm |
| Bowl size | Main Bowl 330W x 400H x 180D / 21L 3/4 Bowl 280W x 350H x 130D / 11L |
| Construction | 2 piece, bowls and drainer seam welded |
| Material | 304 grade, 18/10 polished stainless steel (0.8 mm thick) |
| Installation | Topmount recommended |
| Fixings | Adjustable clips and sealing foam supplied |
| Min cabinet size | 700 mm |
| Tap holes | 1 tap hole |
| Waste fittings | 2 x 90 mm basket wastes included |
| Overflow | Included |
| Carton size | 1090 x 490 x 200 mm |
| Weight | 7.5 kg |
| Warranty | Lifetime manufacturer's warranty (refer to oliveri.co.nz) |
| Maintenance and care instructions | All surfaces should be cleaned with mild liquid detergent or soap and water. To maintain the shine on your Oliveri stainless steel sink, we recommended the use of any of the easy to obtain, non-abrasive stainless steel cleaners or metal polishes. |

Included accessories /

