

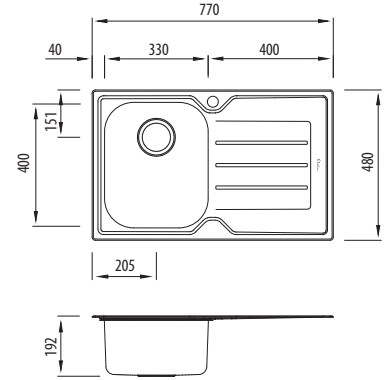
# Flinders

## FL121 NZ 1TH OF

Single Bowl Topmount Sink With Drainer



All dimensions in mm



### Specifications /

<b>Sink size</b>	770W x 480H mm
<b>Bowl size</b>	Main Bowl 330W x 400H x 180D / 21L
<b>Construction</b>	2 piece, bowls and drainer seam welded
<b>Material</b>	304 grade, 18/10 polished stainless steel (0.8 mm thick)
<b>Installation</b>	Topmount recommended
<b>Fixings</b>	Adjustable clips and sealing foam supplied
<b>Min cabinet size</b>	500 mm
<b>Tap holes</b>	1 tap hole
<b>Waste fittings</b>	1 x 90 mm basket waste included
<b>Overflow</b>	Included
<b>Carton size</b>	780 x 490 x 200 mm
<b>Weight</b>	5.5 kg
<b>Warranty</b>	Lifetime manufacturer's warranty (refer to <a href="http://oliveri.co.nz">oliveri.co.nz</a> )
<b>Maintenance and care instructions</b>	All surfaces should be cleaned with mild liquid detergent or soap and water. To maintain the shine on your Oliveri stainless steel sink, we recommended the use of any of the easy to obtain, non-abrasive stainless steel cleaners or metal polishes.

### Included accessories /

