

Oliveri®

THIS SHOWER MUST BE INSTALLED BY A LICENSED PLUMBER IN ACCORDANCE WITH LOCAL REGULATIONS

This Oliveri shower is manufactured to standard AS/NZS 3662.

MAX OPERATING PRESSURE:5 bar (500kPa)
 RECOMMENDED OPERATION PRESSURE:1.5-5 bar (150-500kPa)
 MAX HOT WATER TEMPERATURE:65°C
 RECOMMENDED HOT WATER TEMPERATURE:50°

Where water pressure exceeds 500kPa, a pressure reducing device is required to be installed. Note that water pressure overnight can reach 150% of the daytime pressure.

Before attempting any work involving mains water supply lines, ensure the water supply is shut off.

This shower must be installed in accordance with these instructions.

Oliveri®

RO140011CG



Rome High Rise Shower (Classic Gold)

CARE & MAINTENANCE

Clean with a soft cloth and warm soapy water as necessary - rinse and dry after cleaning. Under no circumstances should abrasive or acid based cleaning products be used.

WARRANTY

DOMESTIC USE

This shower is warranted to be free from manufacturing defects for a period of 5 years:

1. Plastic hand piece, shower arm: 5 years replacement parts and 1 year labour
2. Seals, o'rings: 2 years replacement parts and 1 year labour

COMMERCIAL USE

This shower is warranted to be free from manufacturing defects for a period of 1 years:

1. Plastic hand piece, shower arm, o'rings: 1 year replacement parts and 1 year labour

Subject to the terms contained in the full warranty information available at <https://oliveri.com.au/service-and-warranty>, where a genuine manufacturing defect arises within the warranty period Oliveri will, at its election, repair the defect or replace the product.

This warranty does not cover against normal wear and will be voided if the product is misused or not installed in accordance with these instructions.

Our goods come with guarantees that cannot be excluded under the Australian Consumer Law. You are entitled to a replacement or refund for a major failure and for compensation for any other reasonably foreseeable loss or damage. You are also entitled to have the goods repaired or replaced if the goods fail to be of acceptable quality and the failure does not amount to a major failure.

SERVICE

If the product represents a danger, or damage to property may occur, immediately shut off the water supply. If the product requires servicing, please contact your installer (preferably the one who installed it).

If the Plumber / Installer is satisfied that the problem is not due to poor installation, contact Oliveri's nominated Warranty Service Agent for assistance on:

Ph: (08) 8348 6444 (choose the after sales service and warranty option)

Email: warranty@oliveri.com.au

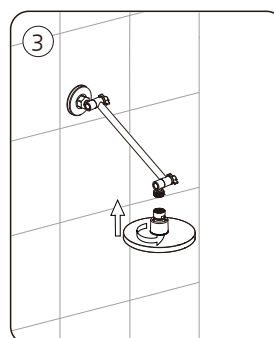
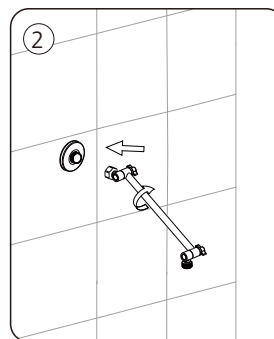
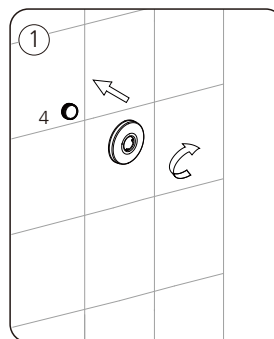
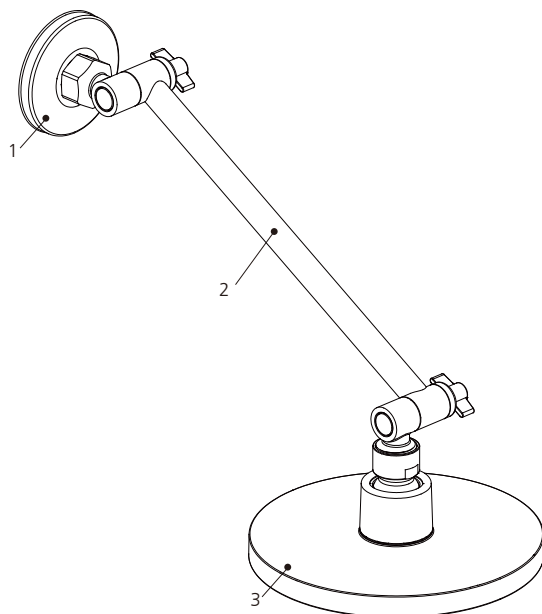
For full warranty information visit: <https://oliveri.com.au/service-and-warranty>

If a warranty service call finds that the spout does not have a genuine manufacturing fault, our Warranty Service Agent reserves the right to pass on any call-out fee to the householder.



Installation Instructions

Rome High Rise Shower (Classic Gold)



1. Wall Plate
2. Shower Arm
3. Shower Head
4. 1/2" BSP male thread

General Note: This product is to be installed by a licensed plumber, installation must comply with AS/NZS 3500 and local plumbing codes.

Pressures & Temperatures

Maximum Hydrostatic Pressure - 500 kpa. (Asper AS/NZS3500)

Note: AS/NZS 3500.1-2003 (Clause 3.3.4) states that "Provision shall be made to ensure that the maximum static pressure at any outlet, other than a fire service outlet, within a building does not exceed 500 kPa.

Note: Pressures above 500kPa can cause damage from water hammer, reduced life of appliances, taps and fittings, and cause excessive noise in the system.

Minimum Hydrostatic Pressure - 100 kpa

The Maximum operating temperature for the Shower is 65°C.

Please ensure that the lines are flushed prior to installation as contaminates in the water can damage the flow regulator and also affect the performance of the Shower.

1. Remove product from packaging and check for damages, if the product is damaged do not install and return to the store of purchase.
2. The WELS compliant flow regulator has been pre-assembled in the shower head or hand piece inlet, to comply with WELS the flow regulator must remain in place.
3. Slide wall plate (1) over 1/2" BSP male thread (4).
4. Apply thread seal tape to the 1/2" BSP male thread (4).
5. Screw shower arm (2) to 1/2" BSP male thread (4).
6. Screw shower head(3) to shower arm(2) ensuring flow regulator is in the shower head (3).

To the consumer

1. **The Shower is to only be cleaned with warm soapy water**
2. **Under No Circumstances** should any abrasive, cream or acid based cleaning agents be used as these types of cleaners will damage the finish, shower head nipples and seals.