

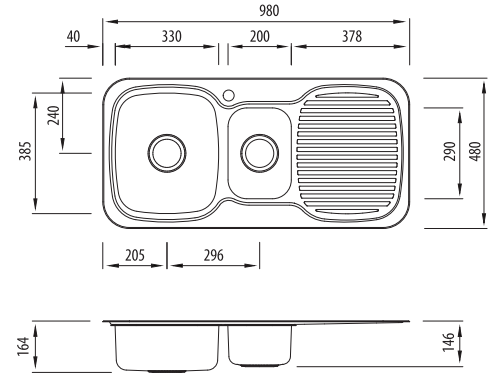
# LakeLand



All dimensions in mm

## LL126 NZ 1TH OF

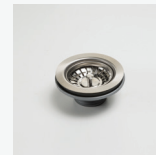
1 & 1/2 Bowl Sink With Drainer



### Specifications /

<b>Sink size</b>	980W x 480H mm
<b>Bowl size</b>	Main Bowl 330W x 385H x 155D / 17L 1/2 Bowl 200W x 290H x 130D / 7L
<b>Construction</b>	2 piece, bowls and drainer seam welded
<b>Material</b>	304 grade, 18/10 polished stainless steel (0.8 mm thick)
<b>Installation</b>	Topmount recommended
<b>Fixings</b>	Adjustable clips and sealing foam supplied
<b>Min cabinet size</b>	600 mm
<b>Tap holes</b>	1 tap hole only
<b>Waste fittings</b>	2 x 90 mm basket wastes included
<b>Overflow</b>	Included
<b>Carton size</b>	990 x 490 x 170 mm
<b>Weight</b>	6 kg
<b>Warranty</b>	Lifetime manufacturer's warranty (refer to oliveri.co.nz)
<b>Maintenance and care instructions</b>	All surfaces should be cleaned with mild liquid detergent or soap and water. To maintain the shine on your Oliveri stainless steel sink, we recommended the use of any of the easy to obtain, non-abrasive stainless steel cleaners or metal polishes.

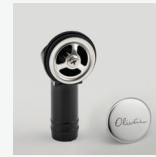
### Included accessories /



**AC05**  
Basket Waste Kit for  
Overflow



**AC09**  
Basket Waste



**Overflow**  
Round with Cover

