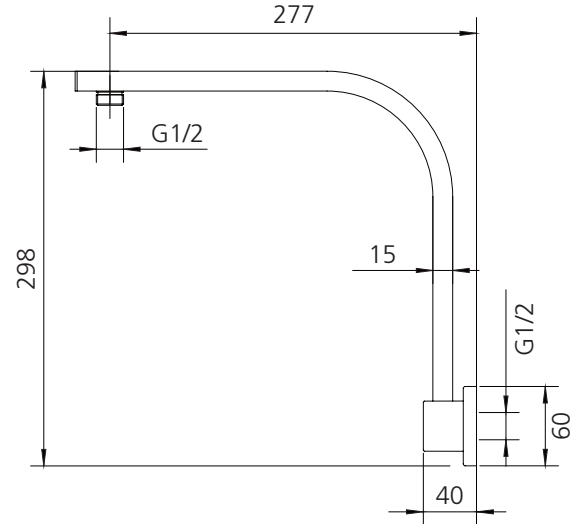


Monaco

MO0009CG

Classic Gold Raised Wall Mounted Shower Arm

All dimensions in mm



Specifications /

Temperature rating (min / max)	1°C - 65°C
Pressure rating (min / max)	150 kPa - 500 kPa
Finish	Classic Gold (PVD)
Materials	Brass
Water supply	Mains
Connections	G 1/2 Female
Mounting methods	Wall mounted
Product weight	0.81 kg
Parts List	Shower arm x 1, flange x 1
Warranty	5 years replacement parts and finish; 1 year labour (see Oliveri website for full details)
Maintenance and care instructions	All surfaces should be cleaned with mild liquid detergent or soap and water. Do not use cream cleaners or citrus based cleaning products, as they are abrasive. Use of unsuitable cleaning agents may damage the surface. Any damage caused in this way will not be covered by warranty.