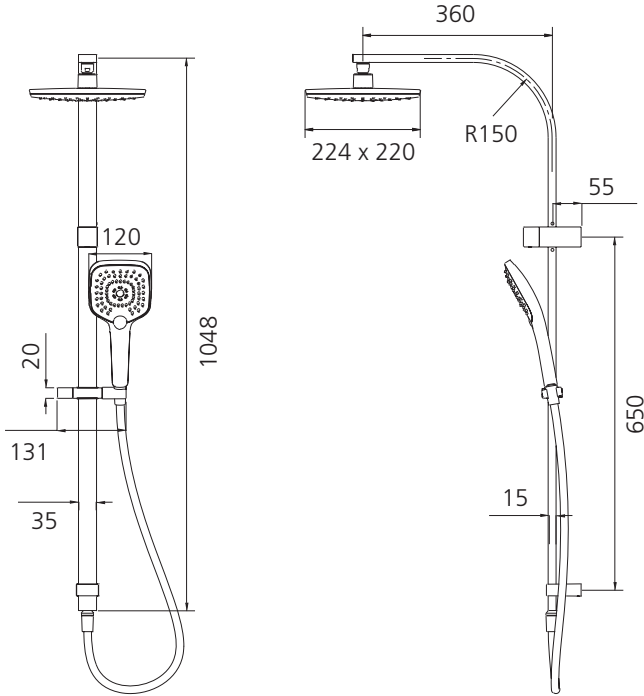


Monaco

MO36342BN

Brushed Nickel Dual Shower Set

All dimensions in mm



Specifications /

| | |
|--|--|
| WELS rating | 3 Stars, 9 L per minute |
| WELS registration number | S14789 |
| Temperature rating (min / max) | 1°C - 65°C |
| Pressure rating (min / max) | 150 kPa - 500 kPa |
| Finish | Brushed nickel (PVD) |
| Shower head functions | Three spray functions (hand shower) |
| Materials | Brass/ABS Plastic |
| Water supply | Mains |
| Connections | G 1/2 BSP |
| Mounting methods | Wall mounted |
| Product weight | 3.45 kg |
| Parts List | Hand shower x 1, shower rose x 1, hose x 1, slider rail x 1 |
| Warranty | 15 years main body; 5 years finish; 5 years shower head, shower arm, plastic hand piece; 2 years hose, seals, o'rings; 1 year labour (see Oliveri website for full details) |
| Maintenance and care instructions | All surfaces should be cleaned with mild liquid detergent or soap and water. Do not use cream cleaners or citrus based cleaning products, as they are abrasive. Use of unsuitable cleaning agents may damage the surface. Any damage caused in this way will not be covered by warranty. |