

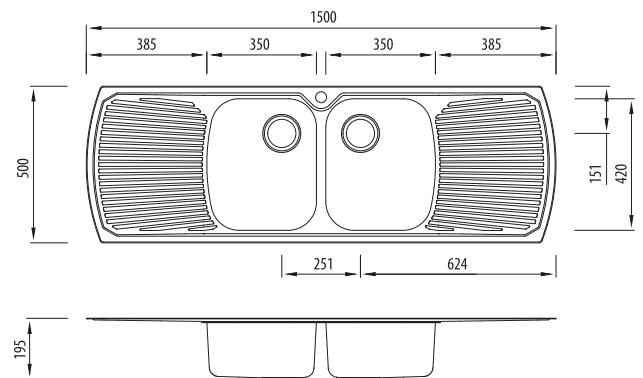
# Monet

## MO753 NZ 1TH OF

Double Bowl Topmount Sink With Double Drainer



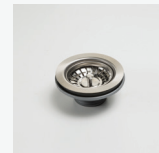
All dimensions in mm



### Specifications /

|  |  |
|--|--|
| <b>Sink size</b>                         | 1500W x 500H mm  |
| <b>Bowl size</b>                         | Main Bowl<br>350W x 420H x 180D / 24L<br>Main Bowl<br>350W x 420H x 180D / 24L   |
| <b>Construction</b>                      | 2 piece, bowls and drainer seam welded   |
| <b>Material</b>                          | 304 grade, 18/10 polished stainless steel (0.8 mm thick)   |
| <b>Installation</b>                      | Topmount   |
| <b>Fixings</b>                           | Adjustable clips and sealing foam supplied   |
| <b>Min cabinet size</b>                  | 800 mm   |
| <b>Tap holes</b>                         | 1 tap hole only  |
| <b>Waste fittings</b>                    | 2 x 90 mm basket waste included  |
| <b>Overflow</b>                          | Included   |
| <b>Carton size</b>                       | 1567 x 567 x 237 mm  |
| <b>Weight</b>                            | 12 kg  |
| <b>Warranty</b>                          | Lifetime manufacturer's warranty (refer to oliveri.co.nz)  |
| <b>Maintenance and care instructions</b> | All surfaces should be cleaned with mild liquid detergent or soap and water. To maintain the shine on your Oliveri stainless steel sink, we recommended the use of any of the easy to obtain, non-abrasive stainless steel cleaners or metal polishes. |

### Included accessories /



**AC05**  
Basket Waste Kit  
for Overflow



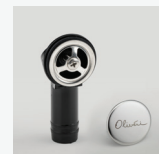
**AC09**  
Basket Waste



**AC74**  
Bamboo Board



**AC7220**  
Colander



**Overflow**  
Round with Cover