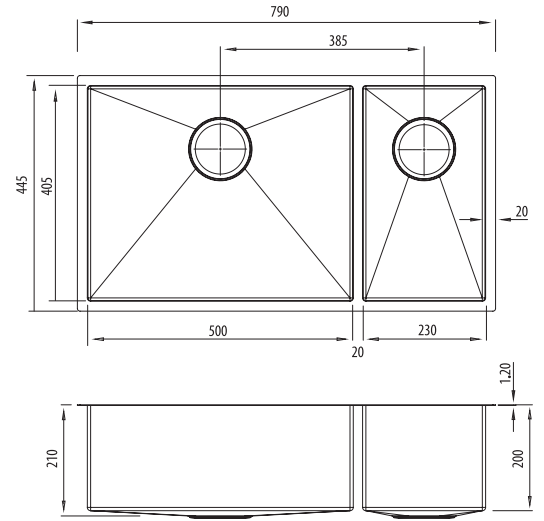


# Spectra

## SB35GM NZ

1 & 1/2 Bowl Gunmetal Sink

All dimensions in mm



### Specifications /

<b>Sink size</b>	790W x 445H mm
<b>Bowl size</b>	Large Bowl 500W x 405H x 200D / 40L 1/2 Bowl 230W x 405H x 200D / 18L
<b>Construction</b>	Fabricated with 5mm radius corners, Softtone® and soundproofing
<b>Material</b>	304 grade, 18/10 coloured stainless steel (1.2 mm thick)
<b>Installation</b>	Topmount, undermount or flushmount
<b>Fixings</b>	Topmount clips supplied only
<b>Min cabinet size</b>	900 mm
<b>Tap holes</b>	N/A
<b>Waste fittings</b>	2 x 90 mm coloured basket wastes included
<b>Overflow</b>	Not available
<b>Carton size</b>	880 x 540 x 330 mm
<b>Weight</b>	19 kg
<b>Warranty</b>	Lifetime manufacturer's warranty (refer to <a href="http://oliveri.co.nz">oliveri.co.nz</a> )
<b>Maintenance and care instructions</b>	All surfaces should be cleaned with mild liquid detergent or soap and water. To maintain the shine on your Oliveri stainless steel sink, we recommended the use of any of the easy to obtain, non-abrasive stainless steel cleaners or metal polishes.

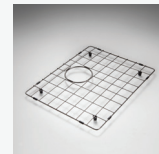
### Included accessories /



**ACBWGM**  
Basket Waste



**ACBWGM**  
Basket Waste



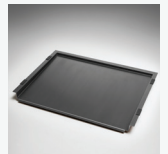
**ACBPGM-1**  
Bowl Protector



**ACBPGM-3**  
Bowl Protector



**ACP104F**  
Bamboo Board



**ACP109GM**  
Bench Top  
Drainer Tray