

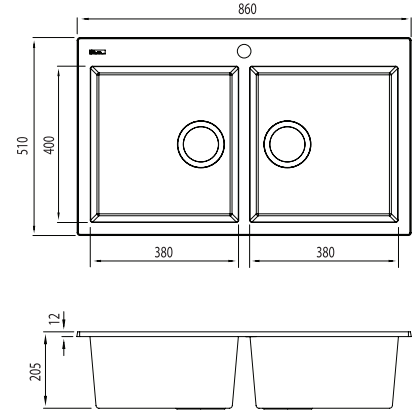
Santorini

Italian made

All dimensions in mm

ST-BL1564 NZ OF

Black Double Bowl Topmount Sink



Specifications /

Sink size	860W x 510H mm
Bowl size	Standard Bowl 1 380W x 400H x 210D / 32L Standard Bowl 1 380W x 400H x 210D / 32L
Construction	Moulded granite
Material	80% granite and quartz particles and 20% acrylic
Installation	Topmount
Fixings	Topmount seal and clips supplied
Min cabinet size	900 mm
Tap holes	1 tap hole only
Waste fittings	2 x 90 mm basket wastes included
Overflow	Included
Carton size	960 x 580 x 310 mm
Weight	16 kg
Warranty	Lifetime manufacturer's warranty (refer to oliveri.co.nz)
Maintenance and care instructions	Clean the sink regularly with warm water, a liquid detergent and a soft cloth. Do not use abrasive powders or creams and avoid chemically aggressive detergents. Generic stains should be removed immediately with very hot water and a cleaning product. For organic stains which are especially difficult to remove, it is recommended that you fill the sink with a highly diluted organic cleaner such as bleach and let stand overnight. The next morning, rinse with warm water and a soft cloth.

Included accessories /

