

# Venice

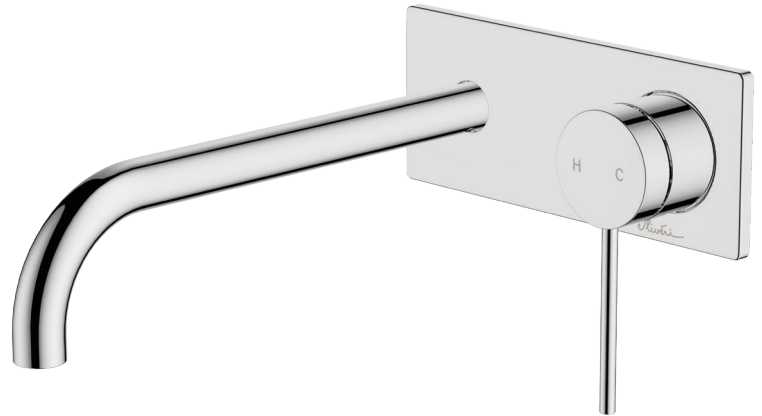
**Dual Flow** | 6 and 5 Star WELS Rated

**Lead FREE**

## VE105500FCR-TK

Chrome Curved Wall Mixer Set - Trim Kit Only

All dimensions in mm



**Included components**

Interchangeable trim kit: Backplate, handle, spout, cartridge sleeve and dome cover.

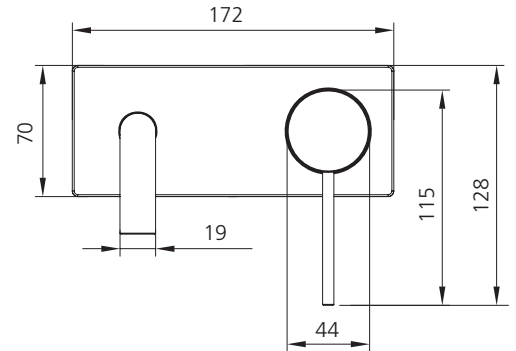
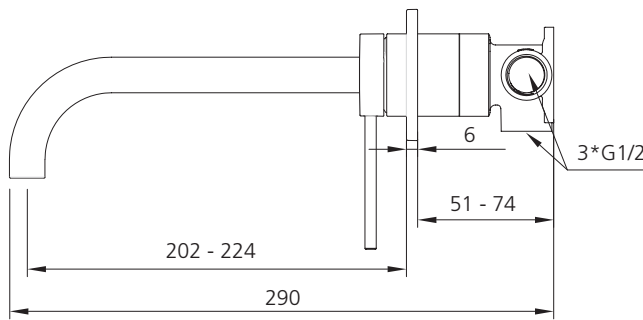
**SERIES 2**

**Inwall body not included**

Requires Wall Mixer Set Inwall Body: UNI-C2-BY (compatible with Paris, Venice and London ranges).

**Dual WELS rated**

Product supplied with WELS 6 Star aerator installed. WELS 5 Star aerator included for optional use.



Trim kit and inwall body assembly.

### Specifications /

<b>WELS rating</b>	6 Star, 4.5 L per min, 5 Star, 6.0 L per min
<b>WELS registration number</b>	T43969, T43967
<b>Temperature rating (min / max)</b>	1°C - 65°C
<b>Pressure rating (min / max)</b>	150 kPa - 500 kPa
<b>Finish</b>	Chrome (electroplating)
<b>Materials</b>	Lead free brass body and zinc handle with SUS handle lever
<b>Compatibility</b>	For use with Wall Mixer Set Inwall Body (UNI-C2-BY)
<b>Product weight</b>	0.73 kg
<b>Water supply</b>	Mains
<b>Warranty</b>	15 years cartridge, body and finish; 5 years seals, fittings, aerators; 1 year labour (see Oliveri website for full details)
<b>Maintenance and care instructions</b>	All surfaces should be cleaned with mild liquid detergent or soap and water. Do not use cream cleaners or citrus based cleaning products, as they are abrasive. Use of unsuitable cleaning agents may damage the surface. Any damage caused in this way will not be covered by warranty.