

# Venice

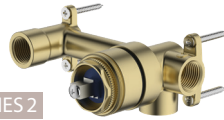
**Dual Flow** | 6 and 5 Star WELS Rated

**Lead FREE**

All dimensions in mm

**VE105516FMB** (Inwall Body: UNI-C2-BY / Trim Kit: VE105516FMB-TK)  
Matte Black Curved Wall Mixer Set

**Complete Inwall Body and Trim Kit**

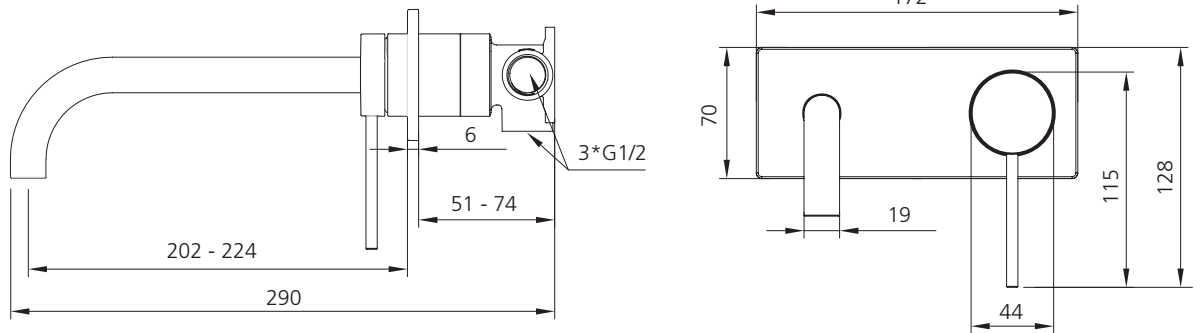


**SERIES 2**



**Included components**  
Inwall body (compatible with Paris, Venice and London ranges) and interchangeable trim kit.

**Dual WELS rated**  
Product supplied with WELS 6 Star aerator installed. WELS 5 Star aerator included for optional use.



## Specifications /

<b>WELS rating</b>	6 Star, 4.5 L per min, 5 Star, 6.0 L per min
<b>WELS registration number</b>	T43969, T43967
<b>Temperature rating (min / max)</b>	1°C - 65°C
<b>Pressure rating (min / max)</b>	150 kPa - 500 kPa
<b>Finish</b>	Matte Black (powder coated)
<b>Materials</b>	Lead free brass body and zinc handle with SUS handle lever
<b>Cartridge size</b>	35 mm
<b>Cartridge type</b>	Ceramic disc cartridge
<b>Product weight</b>	1.55 kg
<b>Water supply</b>	Mains
<b>Warranty</b>	15 years cartridge and body; 5 years finish, seals, fittings, aerators; 1 year labour (see Oliveri website for full details)
<b>Maintenance and care instructions</b>	All surfaces should be cleaned with mild liquid detergent or soap and water. Do not use cream cleaners or citrus based cleaning products, as they are abrasive. Use of unsuitable cleaning agents may damage the surface. Any damage caused in this way will not be covered by warranty.