

Venice

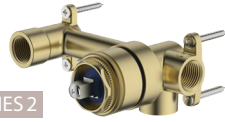
Dual Flow | 6 and 5 Star WELS Rated

Lead FREE

All dimensions in mm

VE108500FCR (Inwall Body: UNI-C2-BY / Trim Kit: VE108500FCR-TK)
 Chrome Straight Wall Mixer Set

Complete Inwall Body and Trim Kit

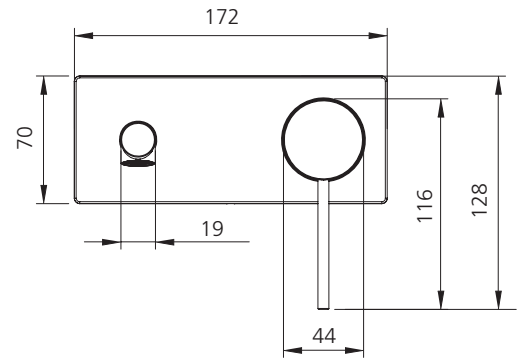
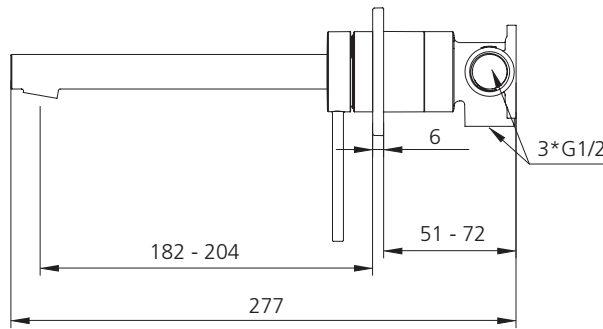


SERIES 2



Included components
 Inwall body (compatible with Paris, Venice and London ranges) and interchangeable trim kit.

Dual WELS rated
 Product supplied with WELS 6 Star aerator installed. WELS 5 Star aerator included for optional use.



Specifications /

WELS rating	6 Star, 4.5 L per min, 5 Star, 6.0 L per min
WELS registration number	T43990, T43989
Temperature rating (min / max)	1°C - 65°C
Pressure rating (min / max)	150 kPa - 500 kPa
Finish	Chrome (electroplated)
Materials	Lead free brass body and zinc handle with SUS handle lever
Cartridge size	35 mm
Cartridge type	Ceramic disc cartridge
Product weight	1.46 kg
Water supply	Mains
Warranty	15 years cartridge, body and finish; 5 years seals, fittings, aerators; 1 year labour (see Oliveri website for full details)
Maintenance and care instructions	All surfaces should be cleaned with mild liquid detergent or soap and water. Do not use cream cleaners or citrus based cleaning products, as they are abrasive. Use of unsuitable cleaning agents may damage the surface. Any damage caused in this way will not be covered by warranty.