

# Venice

**VE111503FCG-TK**

Classic Gold Wall Mixer - Trim Kit Only



All dimensions in mm



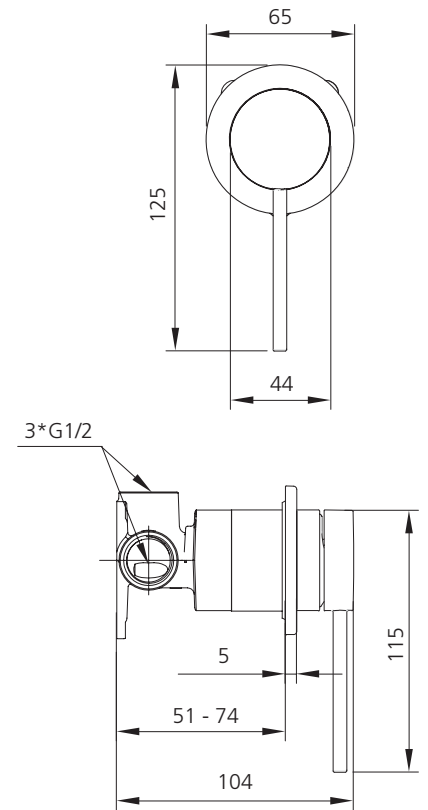
**Included components**

Interchangeable trim kit: Backplate, handle, cartridge sleeve and dome cover.

**SERIES 2**

**Inwall body not included**

Requires Wall Mixer Inwall Body: UNI-A2-BY (compatible with Paris, Venice and London ranges).



Trim kit and inwall body assembly.

## Specifications /

<b>Finish</b>	Classic Gold (paint with finger print resistant coating)
<b>Materials</b>	Lead free brass body and zinc handle with SUS handle lever
<b>Compatibility</b>	For use with Wall Mixer Inwall Body (UNI-A2-BY)
<b>Product weight</b>	0.3 kg
<b>Warranty</b>	15 years parts; 5 years finish, seals, fittings; 1 year labour (see Oliveri website for full details)
<b>Maintenance and care instructions</b>	All surfaces should be cleaned with mild liquid detergent or soap and water. Do not use cream cleaners or citrus based cleaning products, as they are abrasive. Use of unsuitable cleaning agents may damage the surface. Any damage caused in this way will not be covered by warranty.