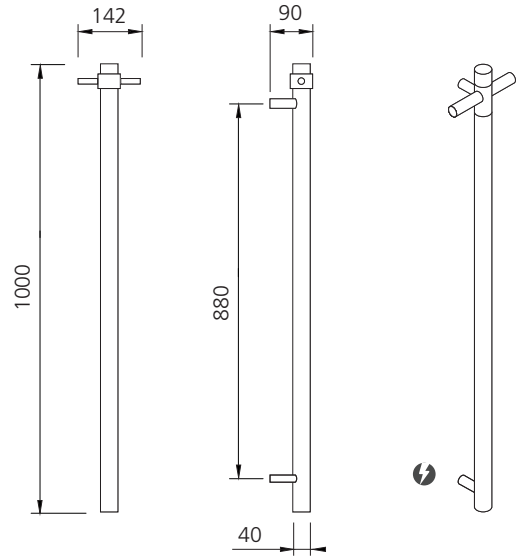


Venice

VE6595MB

Matte Black Heated Vertical Towel Rail

All dimensions in mm



Wiring location



Transformer 12V (Included)
72W low-voltage towel rail transformer

Specifications /

Size	1000 (H) x 142 (W) x 90 (D) mm
Materials	Stainless steel (304)
Finish	Matte black (powder coated)
Mounting method	Wall mount, two point fixing
IP Rating	IP55
Power	28W
Wiring location	Concealed wiring to remote transformer (rail entry point: bottom leg)
Parts list	Towel rail, 12V transformer, wall fixing set
Warranty	7 years parts, 5 years finish, 1 year labour (see Oliveri website for full details)
Maintenance and care instructions	All surfaces should be cleaned with mild liquid detergent or soap and water. Do not use cream cleaners or citrus based cleaning products, as they are abrasive. Use of unsuitable cleaning agents may damage the surface. Any damage caused in this way will not be covered by warranty.