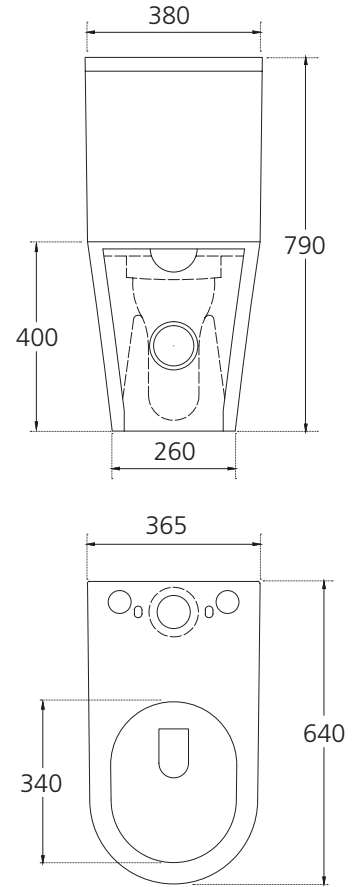


Dublin

DU1343 (Pan: DU1343BT / Cistern: DU1343BW / Seat: DU1343BST)
Back To Wall Toilet Suite

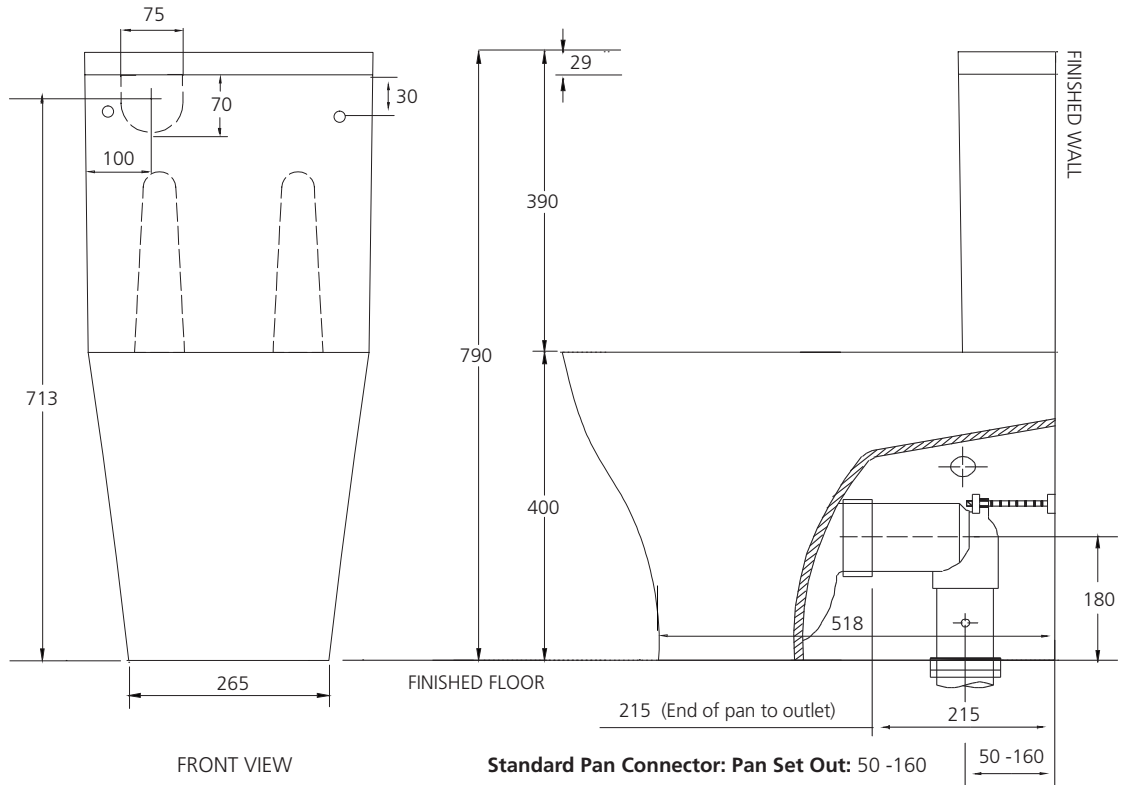


All dimensions in mm

Specifications /

WELs Rating	4 star, 3.5 L avg flush volume (4.5 L / 3 L)
Pan	Rimless / Easy-clean design
Traps	Universal (S or P Trap)
Set outs	S-trap set out 50 mm - 160 mm as standard. P-trap set out 185 mm floor to centre of outlet. Optional S-trap set out 150 mm - 245 mm (SPB0201)
Inlet	Bottom or back inlet
Cistern	Geberit dual flush valve (4.5 L / 3 L)
Fixing	The cistern is fixed directly to the pan with a robust concealed base fixing system without the need for wall fixing.
Seat	Soft close and quick release toilet seat is provided as standard. Compression moulded toilet seat, fitted with buffers and metal hinges.
Colours	White
Installation	The installation of the toilet suite shall be in accordance with the normal minimum drain line grade requirements in AS/NZS 3500.2.
Materials	Vitreous china
Weight	48.0 kg
Parts list	Cover cap, inlet valve, flush valve, rubber ring, brass bolt set connected with cistern and pan, supply hose, bung for bottom entry in cistern, hose, push button, standard pipe, round seat cover, hinge, decorative cover, s-trap connector, seal ring, fixing plate, fixing screw, floor fixing screw
Warranty	20 years vitreous china cistern and pan replacement of product; 5 years replacement seat; 2 years valves and fittings; 1 year seals and labour (see Oliveri website for full details)
Maintenance and care instructions	All surfaces should be cleaned with mild liquid detergent or soap and water. Do not use cream cleaners or citrus based cleaning products, as they are abrasive. Use of unsuitable cleaning agents may damage the surface. Any damage caused in this way will not be covered by warranty.

DU1343 (Pan: DU1343BT / Cistern: DU1343BW / Seat: DU1343BST)
 Back To Wall Toilet Suite



OPTIONAL SET OUT DRAWING

