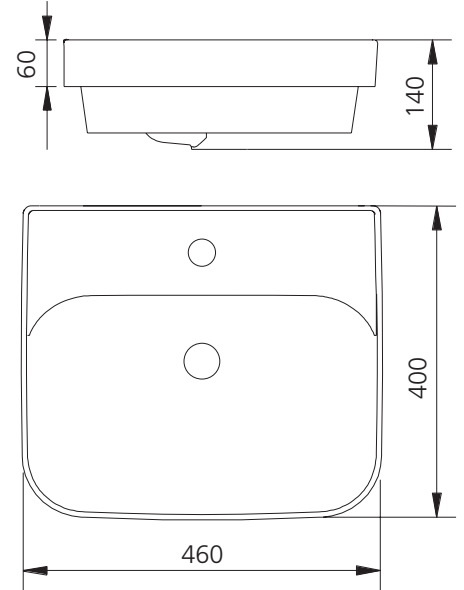


# Dublin

**DU7130F**  
Inset Basin

All dimensions in mm



## Specifications /

<b>Tap holes</b>	1 tap hole
<b>Waste outlet</b>	Pop-up waste sold separately (chrome, matte black or brushed nickel)
<b>Overflow</b>	Included (with plastic chrome plated overflow ring)
<b>Colour</b>	White
<b>Basin size</b>	460 W x 400 H x 140 D mm
<b>Bowl size</b>	460 W x 280 H x 120 D mm
<b>Bowl capacity</b>	3.5 L
<b>Material</b>	Vitreous china
<b>Installation</b>	Semi inset (cut out required)
<b>Weight</b>	13 kg
<b>Warranty</b>	20 years replacement parts, 1 year labour (see Oliveri website for full details)
<b>Maintenance and care instructions</b>	All surfaces should be cleaned with mild liquid detergent or soap and water. Do not use cream cleaners or citrus based cleaning products, as they are abrasive. Use of unsuitable cleaning agents may damage the surface. Any damage caused in this way will not be covered by warranty.