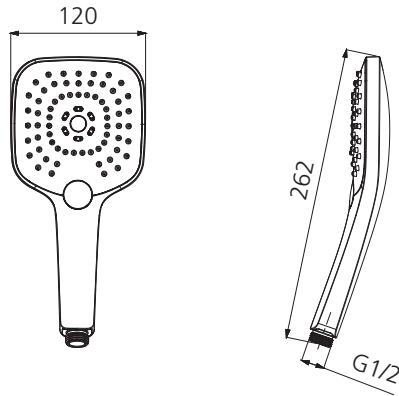


Monaco

MO168013HMB

Matte Black Hand Shower Head

All dimensions in mm



Specifications /

WELs rating	3 Stars, 9 L per minute
Temperature rating (min / max)	1°C - 65°C
Pressure rating (min / max)	150 kPa - 500 kPa
Finish	Matte black (powder coated)
Shower head functions	Three spray functions
Materials	ABS Plastic
Water supply	Mains
Connections	G 1/2 BSP
Product weight	0.27 kg
Parts List	Hand shower x 1
Warranty	5 years replacement parts and finish; 1 year labour (see Oliveri website for full details)
Maintenance and care instructions	All surfaces should be cleaned with mild liquid detergent or soap and water. Do not use cream cleaners or citrus based cleaning products, as they are abrasive. Use of unsuitable cleaning agents may damage the surface. Any damage caused in this way will not be covered by warranty.