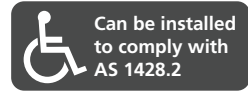


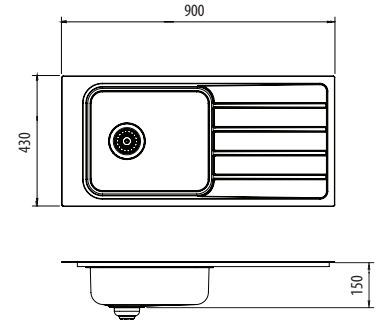
Puro

PU2820 NZ OF

Single Bowl Topmount Care Sink With Drainer



All dimensions in mm



REVERSIBLE SINK

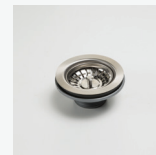
Your installer will install depending on which side you require your sink's bowl and drainer.

Also available with 1 taphole (PU2825 NZ 1TH OF)

Specifications /

| | |
|--|--|
| Sink size | 900W x 430H x 150D mm |
| Bowl size | Main Bowl 330W x 390H x 135D / 14 L |
| Construction | 2 piece, bowls and drainer seam welded |
| Material | 304 grade, 18/10 polished stainless steel (0.8 mm thick) |
| Heat protection | Supplied with insulation pad to bottom of bowl |
| Installation | Topmount |
| Fixings | Adjustable clips and sealing foam supplied |
| Min cabinet size | 500 mm |
| Tap holes | None. Also available with 1 tap hole (PU2825 NZ 1TH OF) |
| Waste fittings | 1 x 90 mm basket waste included |
| Overflow | Included |
| Carton size | 986 x 518 x 230 mm |
| Weight | 5.0 kg |
| Warranty | Lifetime manufacturer's warranty (refer to oliveri.co.nz) |
| Maintenance and care instructions | All surfaces should be cleaned with mild liquid detergent or soap and water. To maintain the shine on your Oliveri stainless steel sink, we recommended the use of any of the easy to obtain, non-abrasive stainless steel cleaners or metal polishes. |

Included accessories /



AC05
Overflow Waste